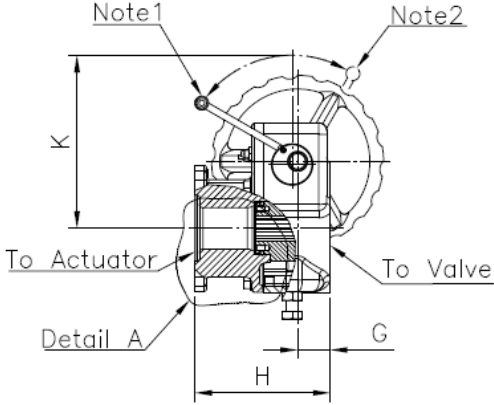
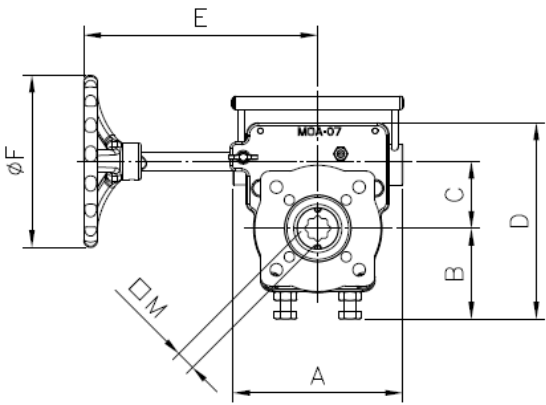
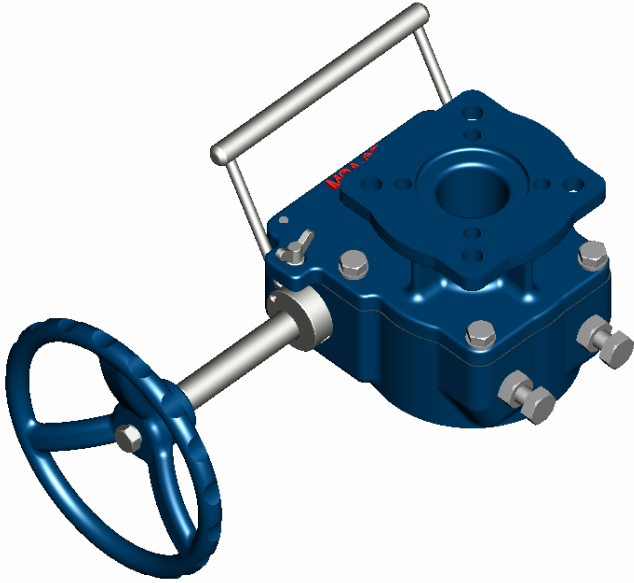
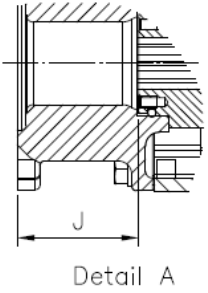


# Manual Override --->Pneumatic Actuator



NOTE:  
 1.Actuator operated  
 2.Hand operated  
 3.(\* )Standard



Series NO.	Allowable		Dimensions										Weight kg
	Depth	□M	A	B	C	D	E	F	G	H	J	K	
MOA-F07	65	17	148	79	58.5	171	204	150	28	118	53	151	7
MOA-F10	65	22	168	89	59	185	200	200	28.5	128	63	160	9.3
MOA-F12	70	27	180	94	68	197	272	310	30	134	66	170	11.5
MOA-F14	73	36	198	113	92	238	325	400	35	133	56	195	15.3
MOA-F16	97	46	218	155	133	330	335	400	50	188	88	231	30.5

[www.autovalve.tw](http://www.autovalve.tw)