

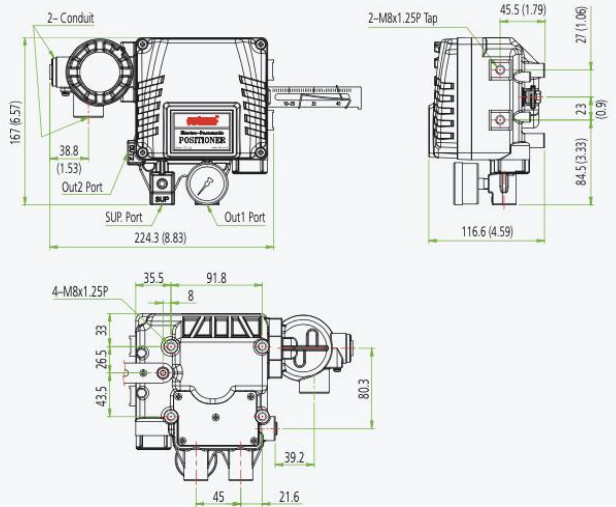
Electro-pneumatic positioners YT-1000 / YT-1050

Design features

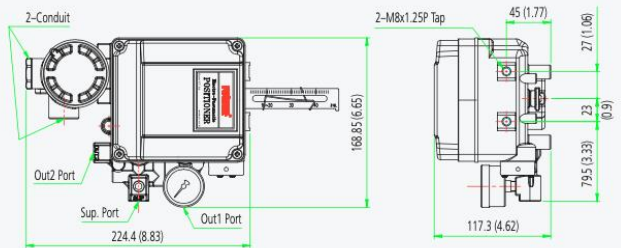
- **Simple zero and span adjustment.** Internal hand dials and locking screws for 4-20 mA range adjustments.
- **Reverse and direct-acting settings.** Full and ½ split range setting by simple adjustment.
- **High vibration resistant.** No resonance between 5 to 200 Hz.
- **Internal feedback option.** Available on weatherproof model only.
- **Auto / manual switch.** Internal adjustment with lock screw safety.



YT-1000 aluminium enclosure



YT-1050 STS316 enclosure





Electro-pneumatic positioners YT-1000 / YT-1050

Item type		YT-1000	YT-1050	
Input signal		4-20 mA DC		
Impedance		250 ± 15 Ω		
Supply pressure		0.14 to 0.7 MPa = 1.4 to 7 bar = 20 to 102 psi		
Stroke	Linear type	10 to 150 mm (0.4 to 6")		
	Rotary type	55 to 100°		
Air connection		Rc ¼, ¼ NPT, G ¼	¼ NPT	
Gauge connection		Rc ¼, ½ NPT	½ NPT	
Conduit		G(NPT) ½, M20	G ½, ½ NPT	
ATEX / IECEx (II 2 G) Ex dmb IIB T5, Ex ia IIC T6 (YT-1000 only)				
EAC 1Ex dmb IIB T5				
INMETRO (II 2 G) Ex dmb IIB T5				
UKEX II 2G Ex db mb IIB T5 Gb, NEMA 4X				
Explosion protection type	KCs Ex dmb IIB T5/T4 / Ex dmb IIC T5 / Ex ia IIB T6 Gb		KCs Ex dmb IIB T5	
	TS Ex db mb IIB T5 Gb X			
	CSA (Class I, Zone 1) Ex dmb IIB T5			
	FM CL I, Div 1, Groups C, D T5; CL II, III, Div 1, Groups E, F, G T5; Type 4X			
	CCC Ex d mb IIB T5 Gb Ex d mb IIC T6 Gb Ex ia IIC T6 Gb		CCC Ex d mb IIB T5 Gb	
	TIIS Ex dmb IIB T5			
	NEPSI Ex d mb IIB T5 Gb Ex d mb IIC T6 Gb Ex ia IIC T6 Ga		NEPSI Ex d mb IIB T5 Gb	
	PESO Ex db mb IIB T5 Gb Ex ia IIC T6 Gb		PESO Ex db mb IIB T5 Gb	
	Ingress protection		YT-1000: IP66, TYPE 4X (FM) YT-1050: IP66	
	Linearity	Single	± 1% F.S.	
Double		± 2% F.S.		
Hysteresis		± 1% F.S.		
Sensitivity	Single	± 0.2% F.S.		
	Double	± 0.5% F.S.		
Repeatability		± 0.5% F.S.		
Air consumption		2.5 LPM (sup = 0.14 MPa) 0.8 CFM (sup = 20 psi)		
Flow capacity		80 LPM (sup = 0.14 MPa) 2.83 CFM (sup = 20 psi)		
Material		Aluminium diecasting	Stainless steel 316	
Weight		YT-1000L: 2.7 kg (6.1 lb) YT-1000R: 2.8 kg (6.2 lb) YT-1050: 5.71 kg (12.6 lb)		

Product code

YT-1000 - R - S - N - 1 - 1 - 4 - S - 0 - (0)

Model

YT-1000 = Aluminium
YT-1050 = STS316

Motion type

L = Linear R = Rotary

Acting type

S = Single D = Double

Explosion protection¹

N = Non-explosionproof
M² = Ex db mb IIB T5 Gb: ATEX, IECEx,
T5 (YT-1000 only), KCs, NEPSI (YT-1000 only),
UKEX, PESO
A = Ex d m IIB T5: CSA (YT-1000 only)
C = Ex d mb IIC T5: KCs (YT-1000 only)
E = 1Ex d mb IIB T5 Gb: EAC
X = Ex dmb IIB T5: TIIS (YT-1000 only)
i = Ex ia IIC T6 Gb (YT-1000 only): ATEX/IECEx,
KCs, UKEX, PESO
T = Ex db mb IIB T5 Gb: INMETRO
Z = Ex db mb IIB T5 Gb: CCC, NEPSI (YT-1050 only)
B = Ex db mb IIC T6 Gb: CCC (YT-1000 only)
G = Ex ia IIC T6 Gb: CCC (YT-1000 only)
F = FM (YT-1000 only)

Lever type

Linear	Rotary
1 = 10 to 40 mm	1 = M6 X 34L
2 = 30 to 70 mm	2 = M6 X 63L
3 = 60 to 100 mm	3 = M8 X 34L
4 = 100 to 150 mm	4 = M8 X 63L
	5 = NAMUR

Orifice type

1 = Φ1 2 = Φ2 3 = None

Conduit & air connection

YT-1000	YT-1050
1 = G ½ - Rc ¼	2 = G ½ - ¼ NPT
2 = G ½ - ¼ NPT	(N/A for CCC)
3 = G ½ - G¼	5 = ½ NPT - ¼ NPT
4 = M20 - ¼ NPT	(CCC only)
5 = ½ NPT - ¼ NPT	

Operating temp. (non-explosionproof)³

S = -20 to +70 °C (-4 to +158 °F)
H = -20 to +120 °C (-4 to +248 °F)
L = -40 to +70 °C (-40 to +158 °F)

Option 1

YT-1000L	YT-1000R
0 = None	0 = None (std)
2 ⁴ = 4-20 mA feedback (internal)	1 = Dome cover
3 ⁴ = 4-20 mA feedback with LCD (internal)	

Option 2 (YT-1000R only)

0 = None
1 = 4-20 mA feedback (internal - only for non-explosion area protection)
2 = 4-20 mA feedback (external, SPTM-6V, explosionproof)
3 = Limit switch (2ea, internal - only for non-explosion area protection)
4 = Limit switch (2ea, external, YT-850 (non-explosion) or YT-870 (explosionproof))
5 = 4-20 mA feedback + limit switch (2ea) (internal - only for non-explosion area protection)
6 = SPTM + limit switch (2ea, external, YT-870, explosionproof)

Notes:

- Only S of operating temperature is available for M (except KCs), T, F, X, Z, B, G, i
Only S, H of operating temperature are available for M (only KCs)
Only S, L of operating temperature are available for A and C
Only L of operating temperature is available for E.
- Please put the name of the certificate in a purchase order.
- This option is just the normal operating temperature of the product and is not related to explosion protection temperature. See certificates for explosion protection temperature.
- Non-explosionproof.




指定機械、設備或器具安全資訊網站申報 登錄完成通知書


Registration Document for the Declaration and Registration scheme
of the required machinery, equipment and tools

登錄完成通知書號碼：ML131200702083



Document No.

茲據職業安全衛生法第七條第三項規定辦理安全資訊申報，經確認符合規定，准予登錄並使用安全標示  及識別號碼：TD13001L。其登錄事項如下：

The document made under Paragraph 3 in Article 7 of the Occupational Safety and Health Act has been reviewed and found to be in compliance with related regulations. Therefore, registration is granted with the Safety Label  and the Identification No. TD13001L. Details of the registration are as follows:

申請人：品青閥業有限公司
Application

統一編號：53086688
Uniform No.

地址：臺北市松山區八德路二段374號7F-6
Address

生產廠場/廠址：
Factory/Factory address

廠場項次 Factory Items	生產廠場 Factory	廠址 Factory Address	國別代碼 Country Code
1	Rotork YTC Limited.	81 Hwanggeum-ro 89 beon-gil Yangchon-eup, Gimpo-si Gyeonggi-do Korea, Republic of	KR

產品種類名稱：防爆電氣設備
Type/ name of product

貨品分類號列：84819090004

C. C. C. Code

中文名稱：閥門防爆型定位器

Chinese name

英文名稱：Electro-pneumatic valve positioner

English name

型式：YT-1000 Series

Type

主型式序號：

Type number

系列型式：如附錄

Series of the type

依據標準：

Safety standards

廠場項次 Factory Items	驗證方式	標準
-----------------------	------	----